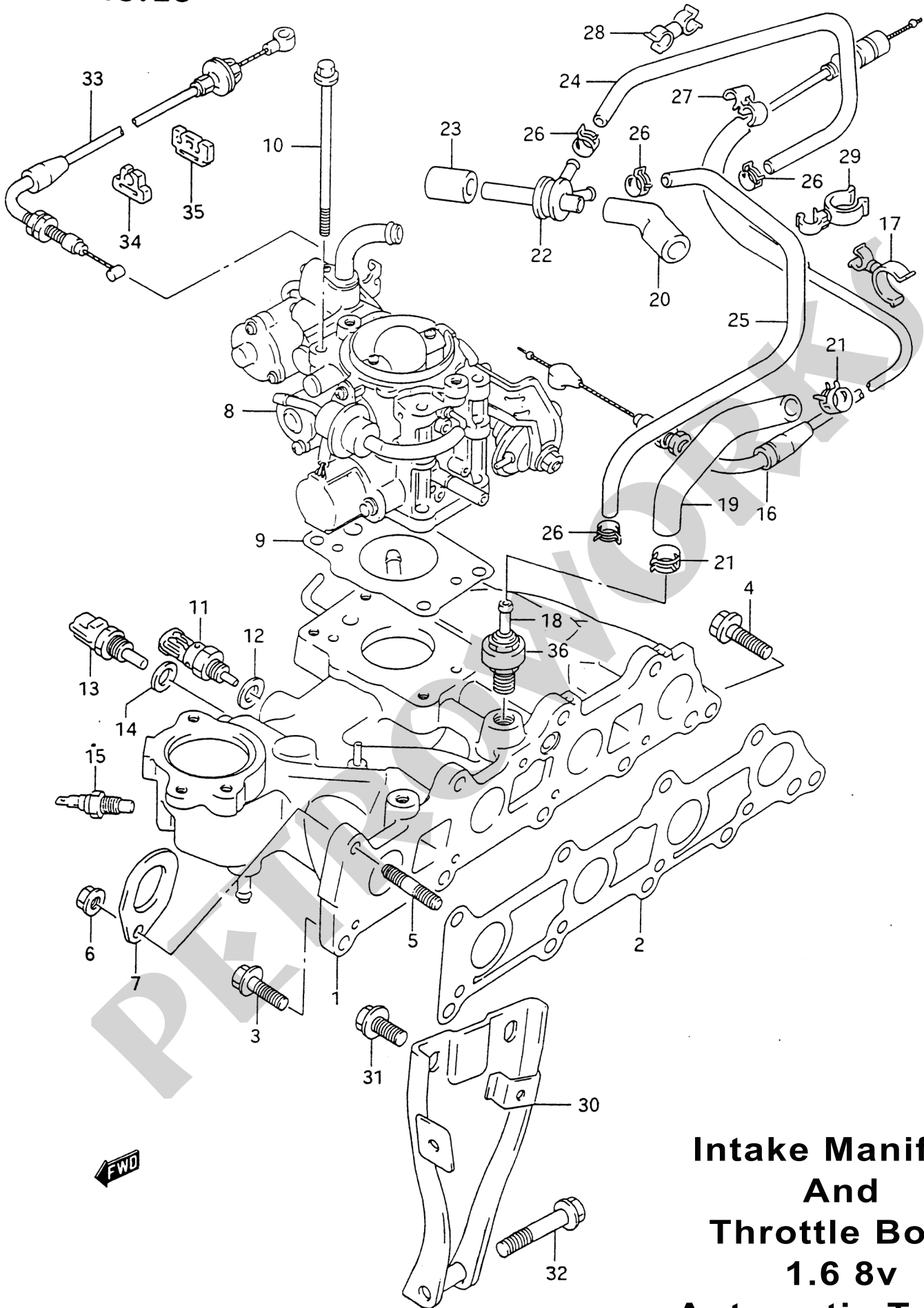


FIG. 20



**Intake Manifold
And
Throttle Body
1.6 8v
Automatic Trans.**