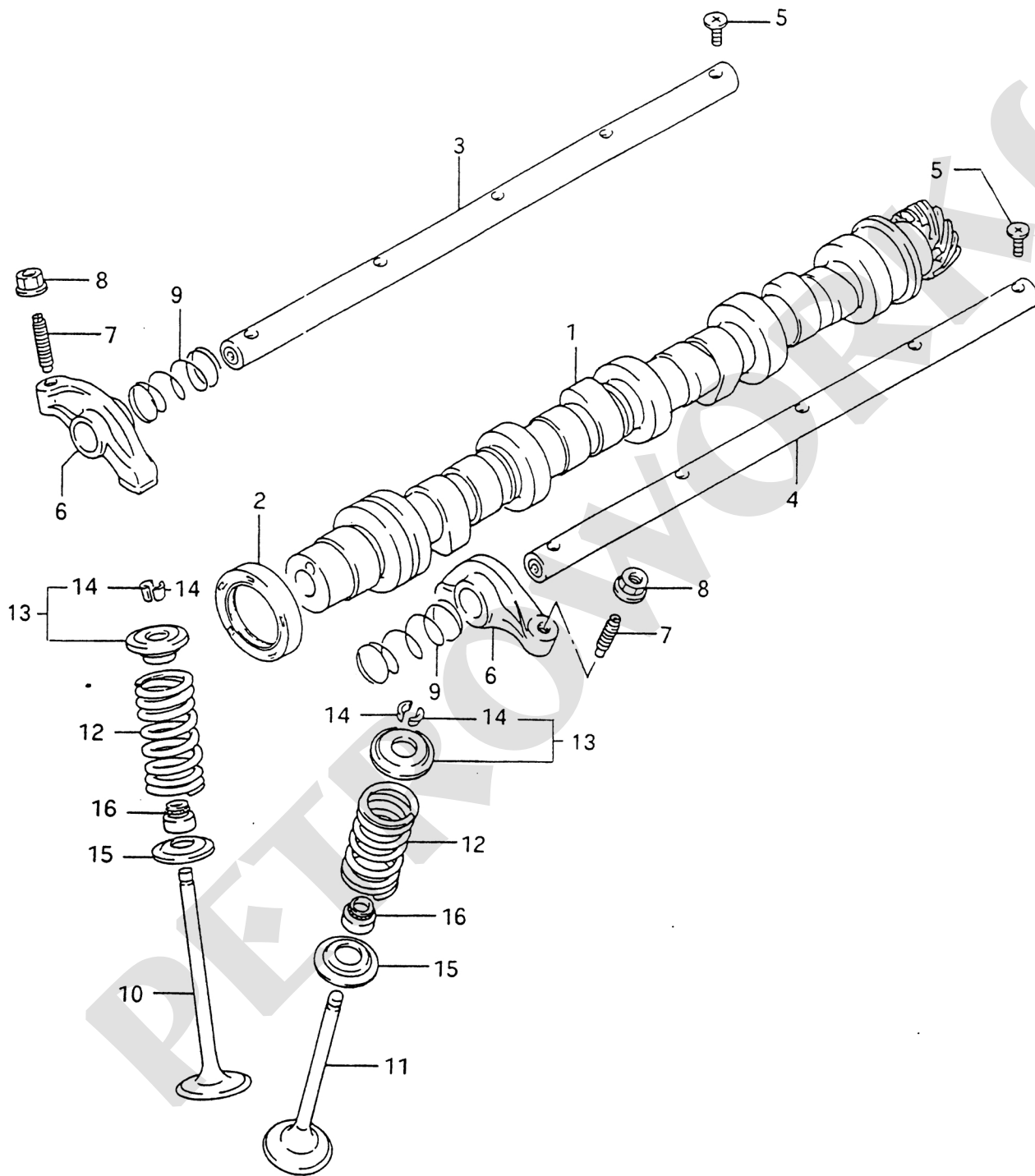


# FIG. 15 1.6 8 Valve



FWD