

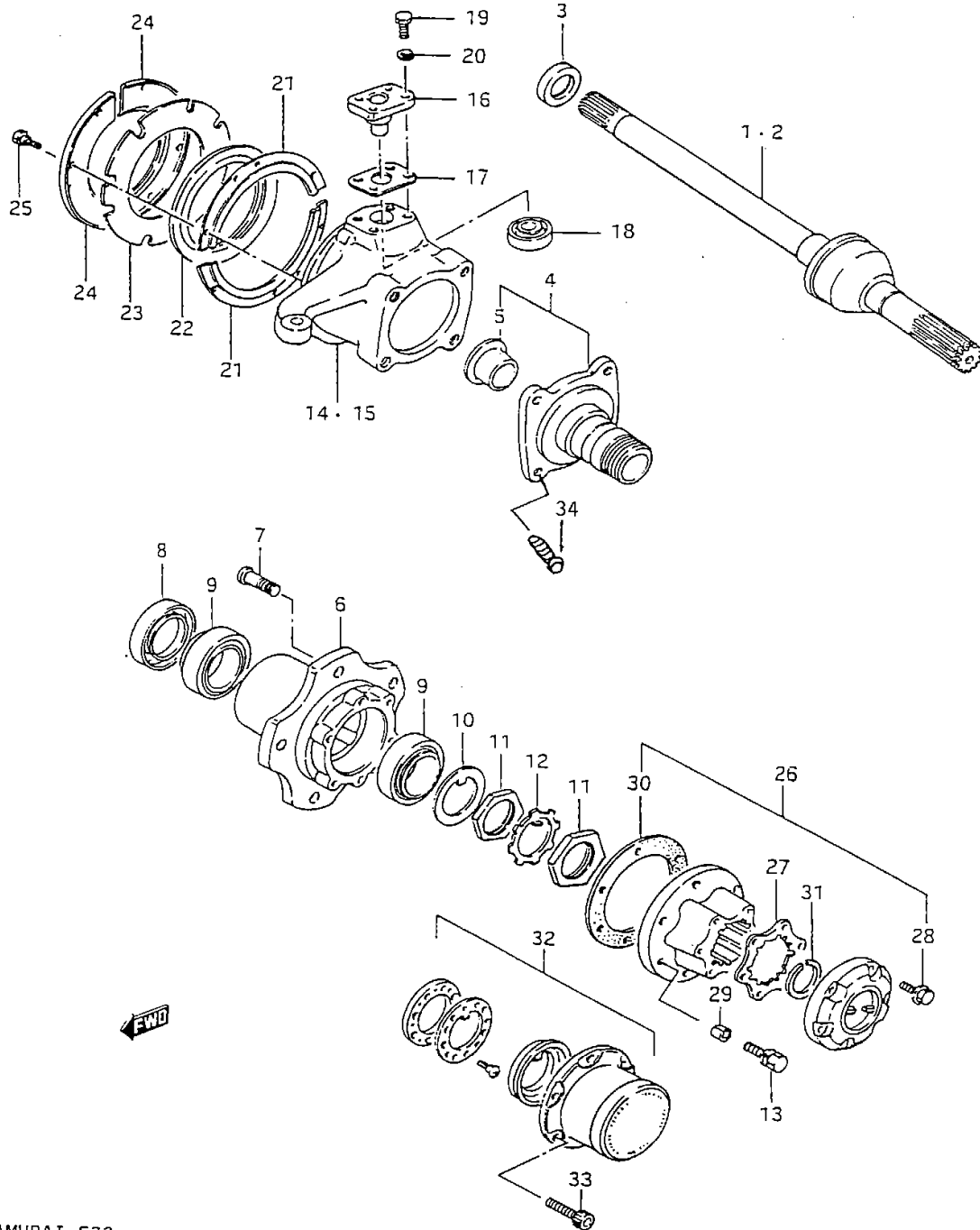


PETROWORKS

OFF-ROAD PRODUCTS

www.petroworks.com

Front Axle Figure 48



SAMURAI E33

Technical Note

Suzuki uses ASIAN hubs, one of the best mass-produced hub in the world. There is no need to replace them with anything else.

We also sell individual parts for your front Axle.

NOTE: New OEM front axle shafts are no longer available from Suzuki. Check with us on the availability of used axle shafts. There are heavy duty units available.

When doing a lift on your Samurai we do not recommend using any tire larger than a 31" tire. The Birfield joint on the front axle shaft is the weakest point and is very prone to breakage.

[Petroworks Front Axle Rebuild Kit](#)