

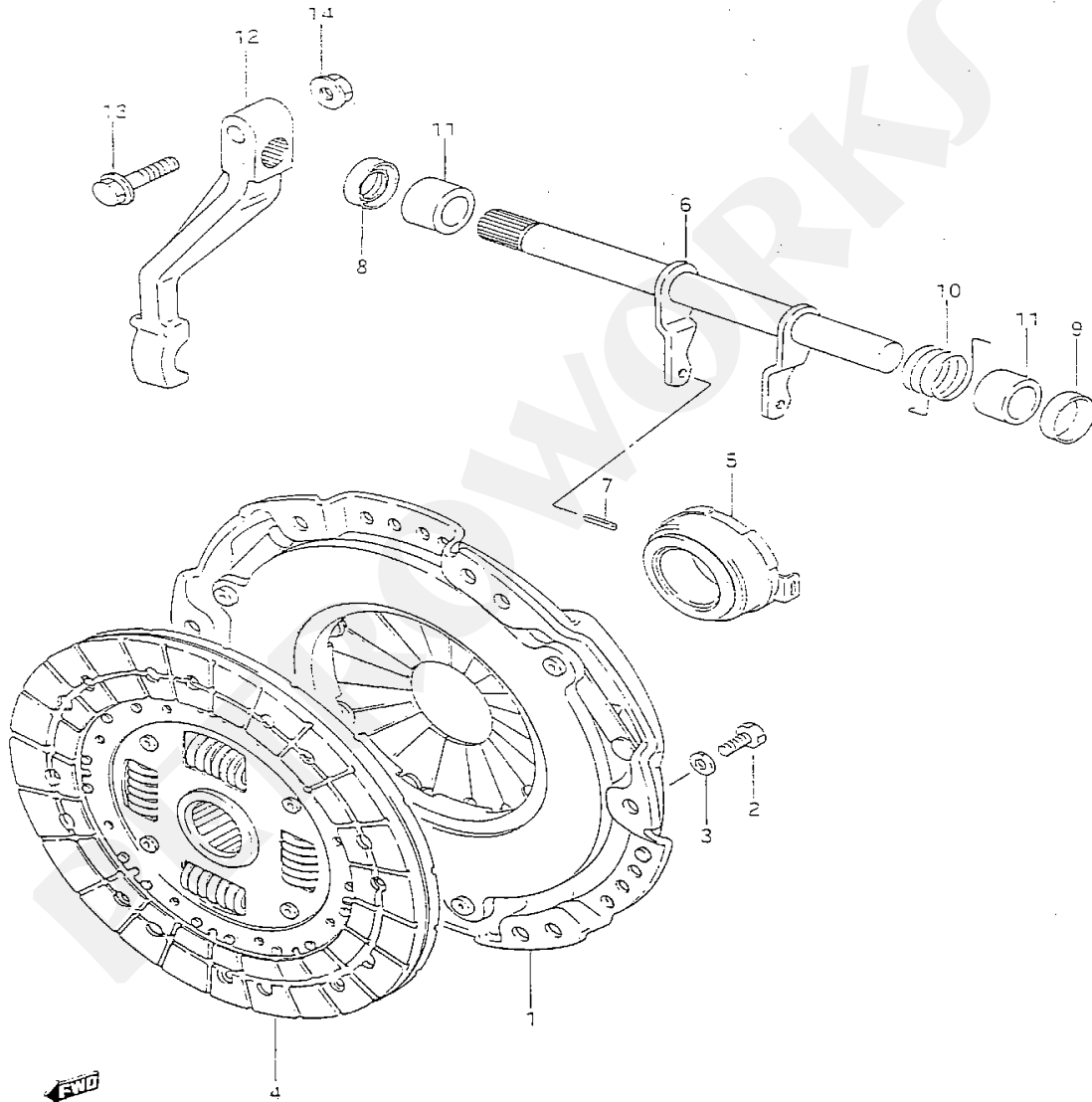


# PETROWORKS

## OFF-ROAD PRODUCTS

www.petroworks.com

### Clutch Assembly Figure 22



SAMURAI E33

For Cars used for Off-Roading with Larger Tires we recommend using the  
Petroworks Hi-Performance Clutch TRM-5254

<http://www.petroworks.com/Products.php?Action=ViewProduct&ProductID=108>